

1
.1.1



Proximity Sensors, Inductive Sensors, cylindrical

Technical Data

For detailed data and product description refer to the data sheets at www.pepperl-fuchs.com

General Data	
Rated operating distance	15 mm
Installation	flush
Operating voltage	10 ... 30 V DC
No-load supply current	≤ 10 mA
Reverse polarity protection	✓
Switching frequency	0 ... 150 Hz
Operating current	≤ 200 mA
Short-circuit protection	pulsing
Operating voltage display	LED, green
Indication of the switching state	LED, yellow
Ambient temperature	-25 ... 70 °C (-13 ... 158 °F)
Housing material	Stainless steel 1.4305 / AISI 303
Sensing face	Stainless steel 1.4305 / AISI 303

Properties

- Ø30 mm metal face housing
- 15 mm, flush mountable
- DC, 3-wire switching output
- Cable and connector versions

Your Benefit

- Increased resistance to environmental influences due to self-contained metal sleeve

Model Number

		green = preferred type	NMB15-30GM55-E0	NMB15-30GM55-E2	NMB15-30GM65-E0-V1	NMB15-30GM65-E2-V1
Switching element function	NPN NO	●	●	●	●	●
	PNP NO			●	●	●
Protection degree	IP67 / IP68 / IP69K - cordset dependent according to cable Standard IP69K		●	●	●	●
Connection type	Device connector M12 x 1, 4-pin cable PUR, 2 m		●	●	●	●

Approvals and Certificates

UL approval	cULus Listed, General Purpose	●	●	●	●
CSA approval	cCSAus Listed, General Purpose	●	●	●	●
CCC approval	Products with a maximum operating voltage of ≤36 V do not bear a CCC marking because they do not require approval.				

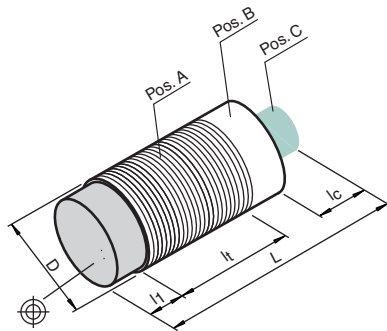
Dimensions

Length L [mm]	55	65
Diameter D [mm]		30
Thread length l _t [mm]	42	37
Cap length l ₁ [mm]		2.5
Connector area l _c [mm]	0	15
LED position		Pos. C

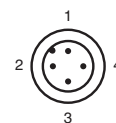
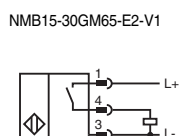
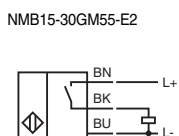
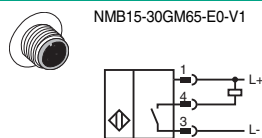
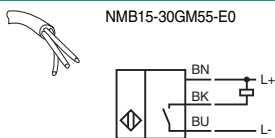
Accessories

This and more accessories can be found in chapter 10
See pages from 972 ... for cordsets See pages 1068 ... for mounting aids

- V1-G-2M-PUR** Cable socket, M12, 4-pin, PUR cable
- AB-30** Mounting aid
- V1-W-2M-PUR** Cable socket, M12, 4-pin, PUR cable



Electrical Connection



Wire colors in accordance with EN 60947-5-2

- 1 BN (brown)
- 2 WH (white)
- 3 BU (blue)
- 4 BK (black)